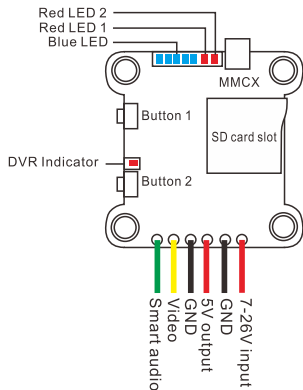
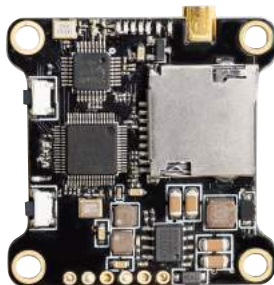


## PRODUCT SPECIFICATION

Input voltage	7V to 26V
Extra features	Smart audio DVR
Power supply	5V output for camera
Output power	25/200/600/1000mW
Antenna connector	MMCX
Cable connector	Solder pads
Dimensions	36*36mm, 30.5 stackable hole.
Weight	8.8g (excluding antenna)
Kit contents	1x VTX, 1x pigtail, 1x cable



# AKK Infinite DVR VTX



## Product Instruction Manual

## PRODUCT SPECIFICATION

### Key features

- Support Smart audio
- 25/200/600/1000mW power switchable
- One button frequency and power setup
- OSD configuration using smart audio
- 7-26V input with 5V output for camera
- With MIC

### Button control Channel select mode

#### Channel Select

Select channels by simple short presses.

Red LED 1 light on stands for CH 1, short presses to change 8 channels sequentially,

For CH2/3/4/5/6/7/8, Red LED 1 flicker once, it won't light on.

**Notice:** Red LED 1 only light on for CH 1.

#### Band Select

Press button for 2s, Blue LED will flash, then short presses to select 5 bands.

#### Power Select

Press button for 4s. Red LED 2 will flash, then short presses to select 25/200/600/1000mW sequentially.

For 200/600/1000mW, Red LED 2 flicker once, it won't light on.

**Notice:** Red LED 2 only light on for 25mW.

#### Pit Mode(0.01mW)

While in Pit Mode you can change channels and set power levels, but none of these changes will take effect until you quit Pit Mode. By default, Pit Mode will send a very weak signal. Two ways to exit pit mode:

Press button 12s until all 7 LED turned off and light on again to exit pit mode, or you can exit pit mode via Betaflight OSD.

## PRODUCT SPECIFICATION

### Frequency Table

Channel	1	2	3	4	5	6	7	8	
1 (Band A)	5865	5845	5825	5805	5785	5765	5745	5725	MHZ
2 (Band B)	5733	5752	5771	5790	5809	5828	5847	5866	MHZ
3 (Band E)	5705	5685	5665	5645	5885	5905	5925	5945	MHZ
4 (Band F)	5740	5760	5780	5800	5820	5840	5860	5880	MHZ
5 (Race Band)	5658	5695	5732	5769	5806	5843	5880	5917	MHZ
Power Level	25	200	600	1000					mW

#### DVR Function

Easily get the DVR function works by inserting an TF card. Max 32GB TF card supported. Press button 2 to start recording or pause recording. Red DVR indicator blinking while recording. Red DVR indicator light on constantly while non-recording. The maximum recording time of each video is 5 minutes. Otherwise, it will be automatically saved as another video.

**Notice:** 5645/5925/5945 (E4/E7/E8) are not available due to FCC regulation. Selecting 5645/5925/5945 (E4/E7/E8) will be invalid action.

37 channels are all above 5650 and below 5925MHz, which are legal to use in the USA with an amateur radio license.

This equipment is being sold under FCC's amateur radio rules. Operators must require amateur radio license to operator legally in the US. Use of amateur equipment without a license or use of equipment on restricted frequencies could subject the operator to significant fines by the FCC. By purchasing this equipment, the user is agreeing that they understand these responsibilities and will operate the equipment legally. More information related to ARL, please go to <http://www.arrl.org/getting-licensed>.